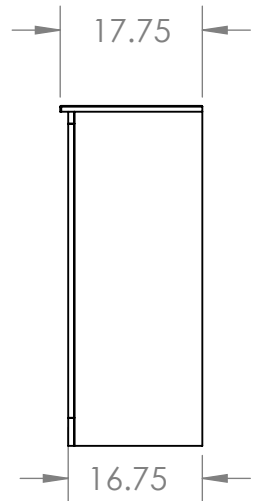
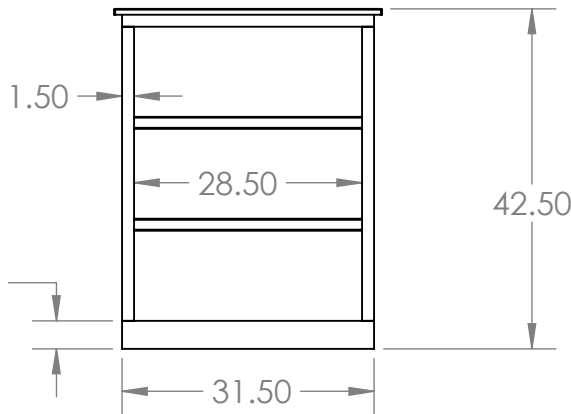
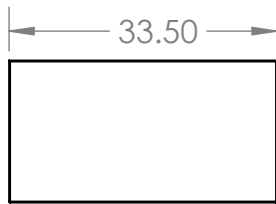


2

1

B

B



A

A

**PROPRIETARY AND CONFIDENTIAL**  
 THE INFORMATION CONTAINED IN THIS DRAWING IS THE SOLE PROPERTY OF Platt Design & MFG. ANY REPRODUCTION IN PART OR AS A WHOLE WITHOUT THE WRITTEN PERMISSION OF Platt Design & MFG IS PROHIBITED.

		UNLESS OTHERWISE SPECIFIED:		NAME	DATE
		DIMENSIONS ARE IN INCHES	DRAWN	R.Platt	
		TOLERANCES:	CHECKED	R.Platt	
		FRACTIONAL ±	ENG APPR.	R.Platt	
		ANGULAR: MACH ± BEND ±	MFG APPR.	R.Platt	
		TWO PLACE DECIMAL ±	Q.A.	R. Lamb	
		THREE PLACE DECIMAL ±	COMMENTS:		
		INTERPRET GEOMETRIC TOLERANCING PER:	Paint twice with High Gloss Polyurethane. Sand between coats with 220 grit sand paper via orbital sander.		
		MATERIAL	Oak & Oak Plywood		
		FINISH	Polyurethane		
NEXT ASSY	USED ON	APPLICATION	DO NOT SCALE DRAWING		

Platt Design & MFG		
TITLE: Platt Bookcase 1/2 Height		
SIZE <b>A</b>	DWG. NO. bookcase-assembly-001	REV
SCALE: 1:16	WEIGHT:	SHEET 1 OF 1

2

1